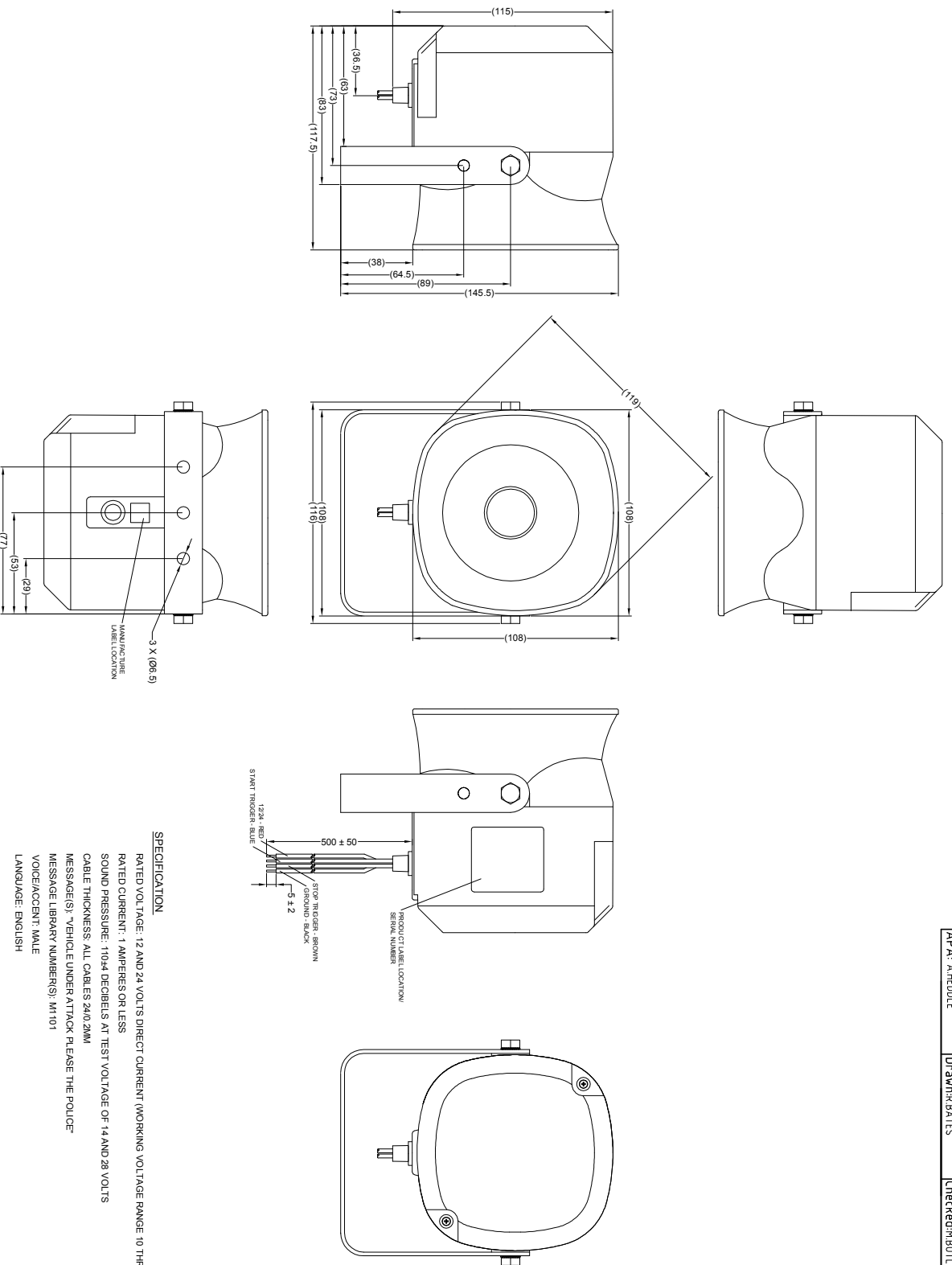


Revision Notes			
R1 - NOTES UPDATED TO INDICATE CORRECT LABEL DETAILS. STANDARDS UPDATED AS PER ECR CR-A253			
APAC AHEDDLE	Drawn/BATES	Checked/MIBUTLER	Approved/GPLITH
			Date: 07/02/14



SPECIFICATION

RATED VOLTAGE: 12 AND 24 VOLTS DIRECT CURRENT (WORKING VOLTAGE RANGE: 10 THRU 30 VOLTS)
 RATED CURRENT: 1 AMPERES OR LESS
 SOUND PRESSURE: 110±4 DECIBELS AT TEST VOLTAGE OF 14 AND 28 VOLTS
 CABLE THICKNESS: ALL CABLES 2.0/2MM
 MESSAGE(S): "VEHICLE UNDER ATTACK PLEASE THE POLICE"
 MESSAGE LIBRARY NUMBER(S): M1101
 VOICE/ACCENT: MALE
 LANGUAGE: ENGLISH

- NOTES:
1. MATERIAL: ABS PLASTIC - ULTRA VIOLET STABILIZED
 2. FINISH: BLACK
 3. FOR PRODUCT LABEL REFER TO LATEST REVISION OF DRAWING BE-002749-XX-13
 4. FOR GFTBOX LABEL REFER TO LATEST REVISION OF DRAWING BE-002325-XX-13
 5. FOR MANUFACTURE LABEL REFER TO LATEST REVISION OF DRAWING BE-001990-XX-12.

PROPRIETARY NOTICE

THIS DESIGN AND TECHNICAL INFORMATION APPEARING ON THIS DRAWING IS THE PROPERTY OF BRIGADE ELECTRONICS, AND IS DISCLOSED IN CONFIDENCE. IT IS NOT TO BE COPIED, REPRODUCED, REVEALED TO OR EXPLOITED BY OTHERS, EITHER IN WHOLE OR IN PART WITHOUT THE EXPRESS WRITTEN CONSENT OF BRIGADE ELECTRONICS.



Assembly PI Approval A.HEDDLE - 19/03/13		Approved by B.JOHN		Checked by G.PLITH		Drawn by M.BUTLER	
Angle of Projection Third Angle		Units mm	Scale N/A	Released 30/04/13		Assembly Ref BC-AA	
Status RELEASED		Part No 0042		BE-001483-01-11			

H 1 2 3 4 5 6 7 8

G

F

E

D

C

B

A

Frame V3